



E-LOX®

Installation manual

EN

0. Content

1. Components of the fencing system

1. The posts
2. The panels
3. The hooks
4. The panel connectors
5. The corner clamps

2. Installation of E-LOX®

1. Foundations
2. Install posts
3. Install panels
4. Special cases

3. Maintenance

1. Components of the fencing system

1. The posts
2. The panels
3. The hooks
4. The panel connectors
5. The corner clamps

2. Installation of E-LOX®

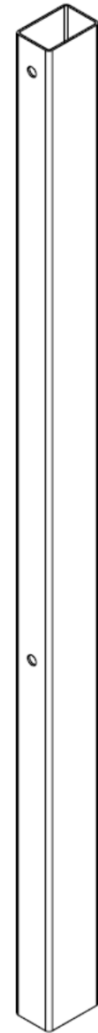
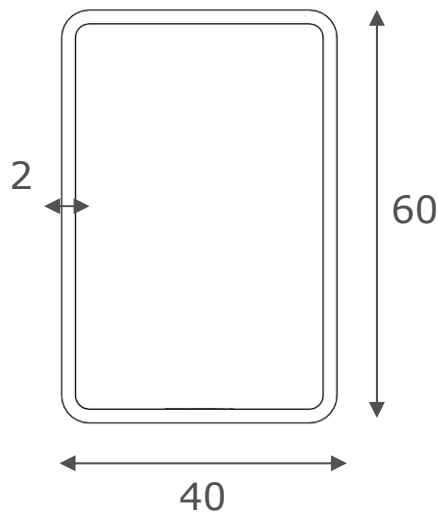
1. Foundations
2. Install posts
3. Install panels
4. Special cases

3. Maintenance

1. Components of the fencing system

1.1 The posts

- The section of the E-LOX[®] post is always 60x40x2mm
- The posts are foreseen of the appropriate holes for the fixation of the panels. The holes are always through the post
- Types: the hole pattern is depending on the type of panel
- Posts are covered with a post cap in PA
- Posts can be installed in concrete or on floor plates (welded to the posts)



1. Components of the fencing system

1.2 The panels

- E-LOX® posts can be installed with Nylofor F and Nylofor 3D panels. This is the standard range of posts & panels:

	Height of the fence (mm)*	Panel dimensions WxH (mm)	Length of the posts concrete (mm)	Length of the posts floorplate (mm)	# holes
NYLOFOR F	606	2500x606	1000	670	2
	806	2500x806	1300	870	3
	1006	2500x1006	1500	1070	3
	1206	2500x1206	1700	1270	3
	1406	2500x1406	2000	1470	4
	1606	2500x1606	2200	1670	4
	1830 **	2500x1830	2400	1870	4
	2030 **	2500x2030	2600	2070	5
	2230 **	2500x2230	3000	2270	5
	2430 **	2500x2430	3200	2470	6
NYLOFOR 3D	630	2500x630	1000	670	2
	1030	2500x1030	1500	1070	3
	1230	2500x1230	1700	1270	3
	1530	2500x1530	2000	1570	4
	1730	2500x1730	2400	1770	4
	2030	2500x2030	2600	2070	5

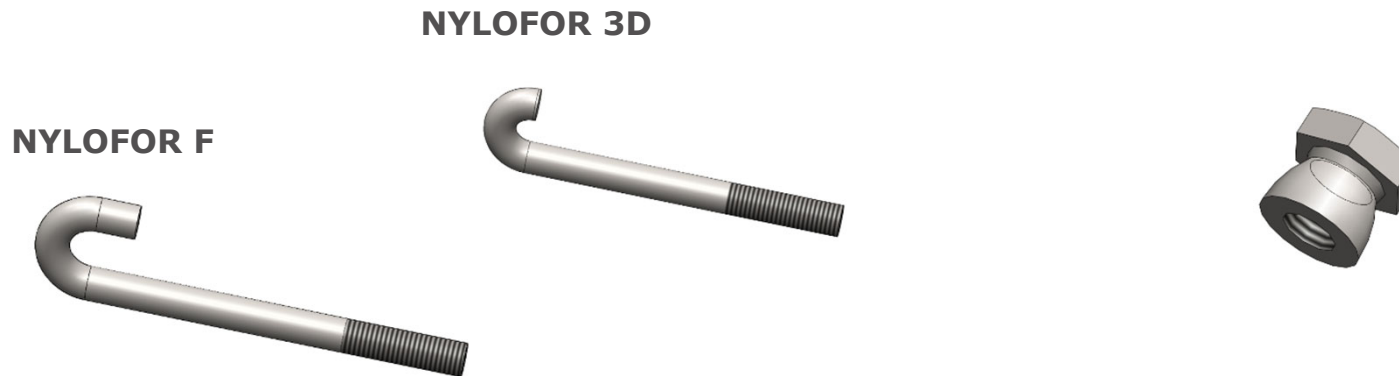
* Overall height of the fence can be different depending on the clearance below the panel (20 to 50 mm)

** Nylofor® F panels are standard with overhangs when height > 1,6m

1. Components of the fencing system

1.3 The hooks

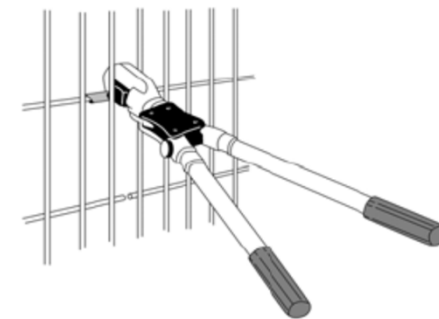
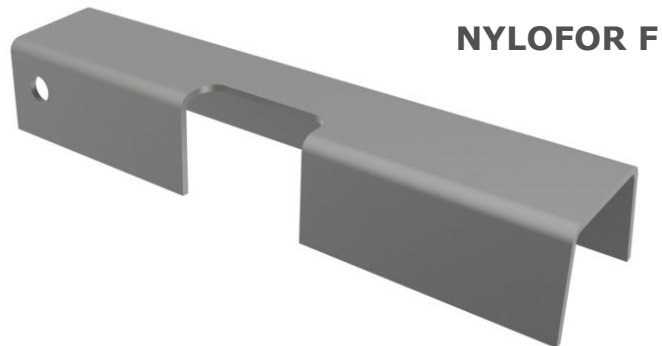
- E-LOX® posts are installed with hooks M8 in stainless steel
 - There are 2 types of hooks: A hook for Nylofor F and a hook for Nylofor 3D panels. The hooks are fixed with self-breaking nuts M8, in stainless steel



1. Components of the fencing system

1.4 The panel connectors

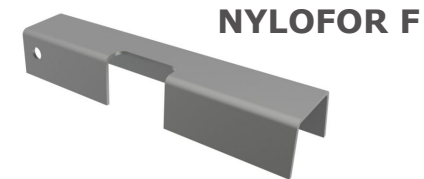
- The E-LOX[®] post system is meant to be used for 'endless' installation. Connection clamps are necessary to fix the horizontal wires of the panels together
 - There are 2 types of panel connectors: a connector clamp for Nylofor F and a connector clamp for Nylofor 3D. All in stainless steel
 - Two types of special tongues are available to fix the clamps in a proper way



1. Components of the fencing system

1.4 The panel connectors

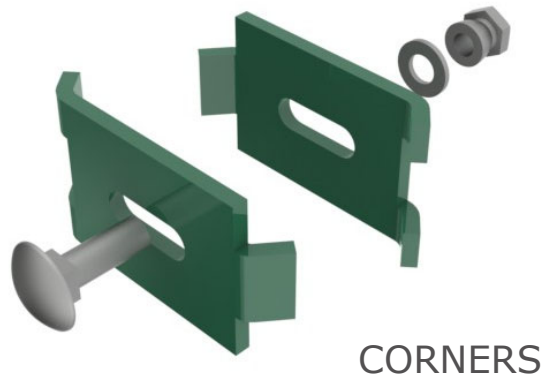
- In case of a slope, connecting the panels is depending on the panel type and on the size of the steps:
 - To make steps of 200mm with a Nylofor F panel, the normal panel connector can be used
 - To make steps different from 200mm with Nylofor F, a special connector clamp for slopes is used. The same clamp is used with Nylofor 3D for all steps. Clamps are fixed with Mushroom Head Square Neck bolts (DIN603) M6x20, in stainless steel



1. Components of the fencing system

1.5 The corner clamps

- In case of a corner, corner clamps are needed
 - The corner clamps are fixed with Mushroom Head Square Neck bolts (DIN603) M8x25, in stainless steel



1. Components of the fencing system

1. The posts
2. The panels
3. The hooks
4. The panel connectors
5. The corner clamps

2. Installation of E-LOX®

1. Foundations
2. Install posts
3. Install panels
4. Special cases

3. Maintenance

2. Installation of E-LOX®

2.1 Foundations

- To obtain the best result, it is recommended to level the ground over the whole length of the fence
- Align the fence line
- At the beginning of the fence, the centre-centre distance of the posts should be about 2300mm. Every following post will be installed with a centre-centre distance of around 2500mm.
- To determine the dimensions of the foundations it is recommended to consult a specialized engineer to evaluate wind load and ground conditions and any other factors requiring specialist opinion (concrete quality directive B30)
- In case of instant installation the post needs to be supported as long as necessary



2. Installation of E-LOX®

2.2 Install posts

- Installation principle: when installing E-LOX®, first all the posts can be placed and then the panels can be attached

ALIGNING THE POSTS

- Place a pin before the first post of the fence and another behind the last post. Connect those pins with two guide ropes
- The lower guide rope should be between 20 and 40 cm above the ground. Now align all holes with the upper guide rope
- Place the posts, correctly aligned (vertically and horizontally)
- When using concrete, pay attention that no water can stay inside the posts!

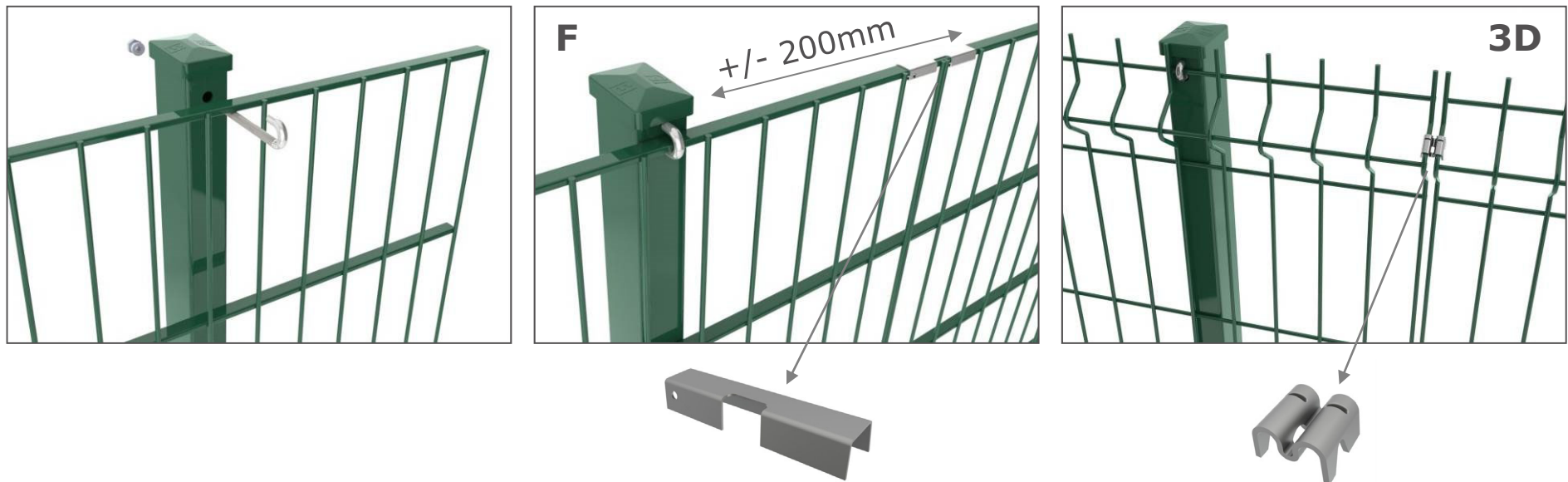


2. Installation of E-LOX®

2.3 Install panels

INSTALLING THE PANELS

- Fasten the top of the panels with a metal hook
- Fix the panels together with the panel connection clamps
- With Nylofor F, every horizontal wire should be fixed with a connection clamp
- With Nylofor 3D, the clamp is fixed in the top part of every panel nose

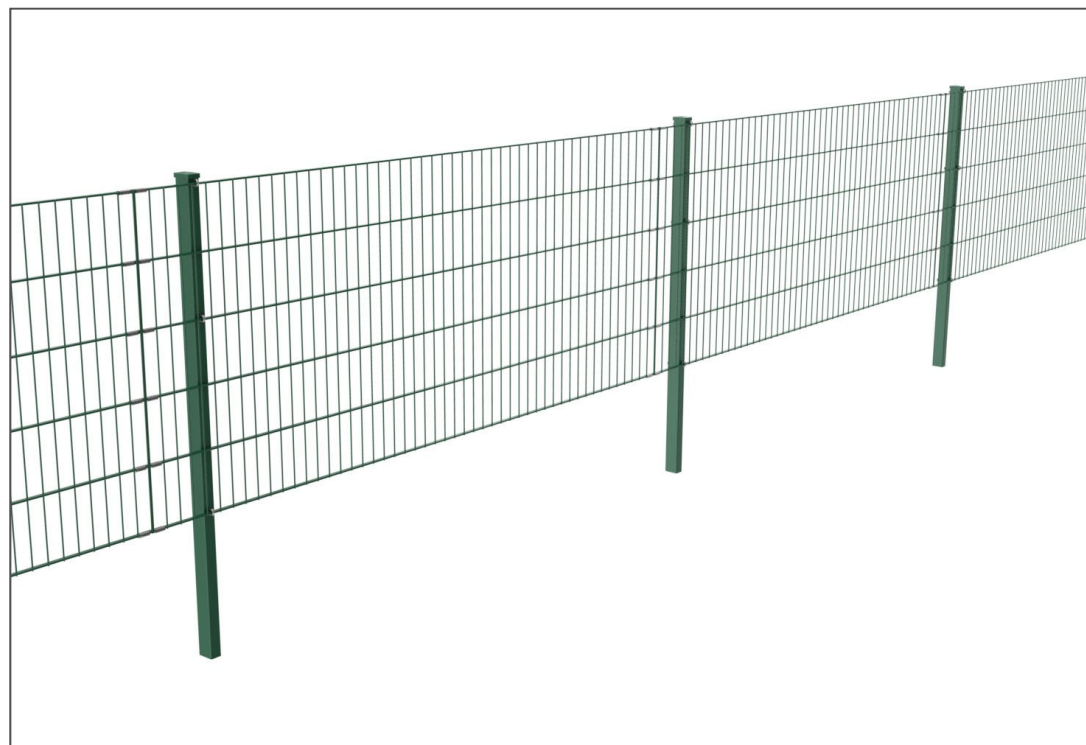


2. Installation of E-LOX®

2.3 Install panels

INSTALLING THE PANELS

- Completely fasten the panels with a hook through each hole in the post
- Repeat these steps to complete the installation



2. Installation of E-LOX®

2.4 Special cases

INSTALLING CORNERS

- In case of a corner, special clamps are required. The last post will be installed 200 to 400mm before the end of the last panel, so both panels can be fixed together in the corner with clamps.
- A corner clamp is used every 500mm and at top and bottom of the fence.



2. Installation of E-LOX®

2.4 Special cases

INSTALLING SLOPES WITH NYLOFOR F

- In case of a slope, steps of 200mm can be made easily. Every horizontal wire can still be fixed with a connection clamp. Use a longer post where necessary.
- Make sure the panel that touches the post is connected with a hook at top and bottom. If necessary, foresee an extra hole.
- To make steps different from 200mm, a special connector is used.

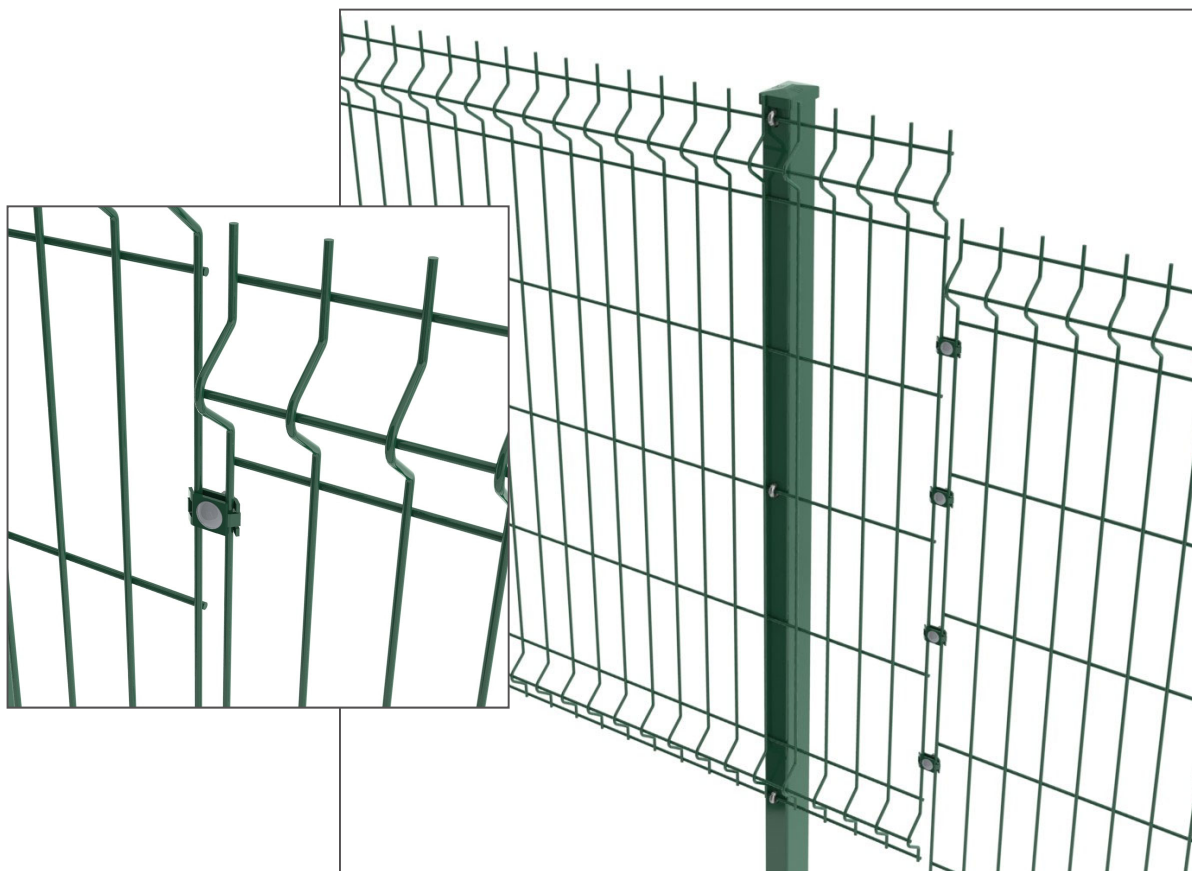


2. Installation of E-LOX®

2.4 Special cases

INSTALLING SLOPES WITH NYLOFOR 3D

- In case of a slope with Nylofor 3D, the noses of the panel are on a different level. Therefore special connectors are necessary.



3. Maintenance

- All Betafence panels and posts are maintenance free but it is recommended that the fence line would be checked every 4 months to make sure that all the connection screws are tightened and all the posts caps are in place. If screws or post caps are missing or broken those should be replaced or tightened immediately
- If there are visible scratches / damages on the coating, those should be re-sprayed immediately with a similar color paint
- If necessary the fence and posts can be washed with a light soap water and rinse afterwards with a **low water pressure**